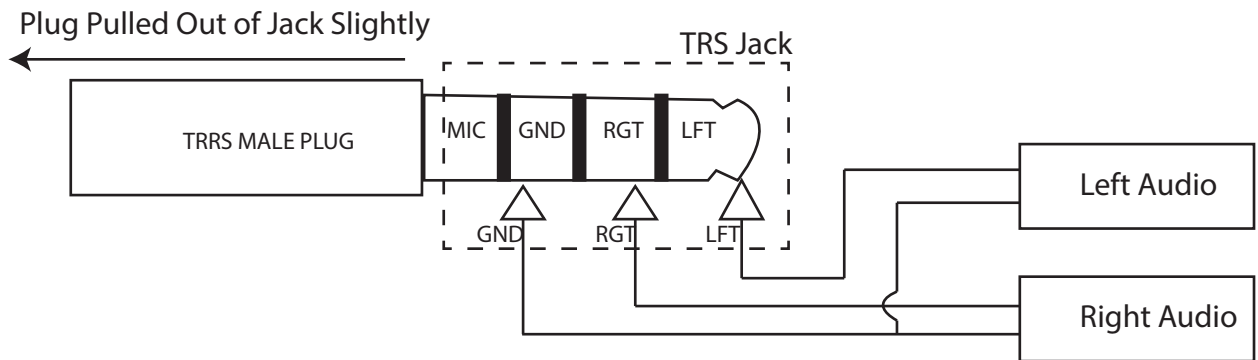
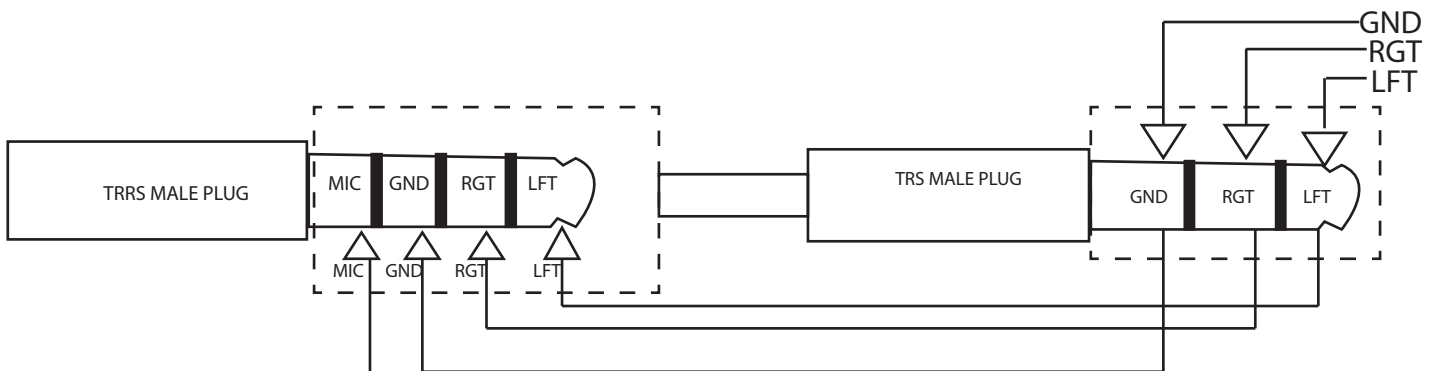


This illustrates why your 4-Conductor plug does not work properly with a standard 3-Conductor Stereo Jack.

The contacts inside a 3-Conductor jack are not aligned to match up properly with the 4-Conductors of a TRRS Plug.



As you pull the plug out of the jack, it begins to make contact with the parts of the jack which conduct the audio from your left and right stereo channels



This shows how the 4-Conductor-to-3-Conductor Adapter makes connection