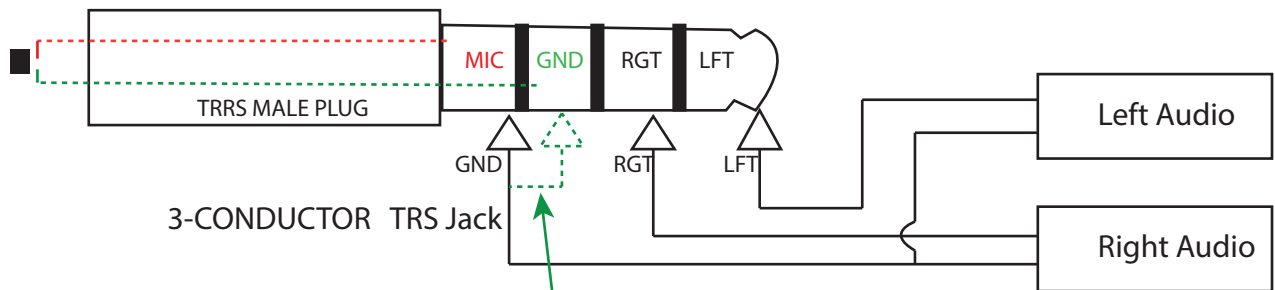


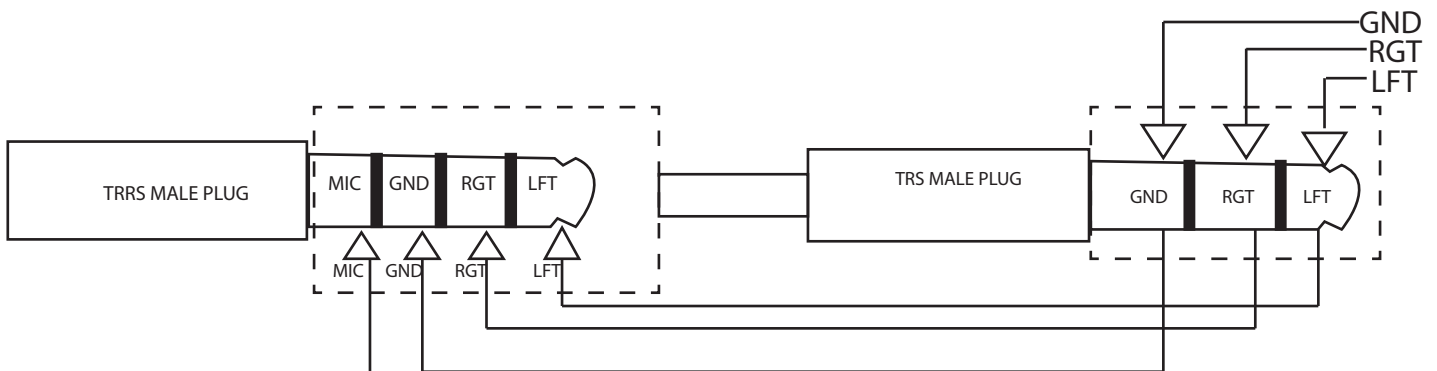
The contacts inside a 3-Conductor jack are not aligned to match up properly with the 4-Conductors of a TRRS Plug. The Ground part of your headset wiring does not make contact. The "Ground" is necessary to complete the audio circuit connections.

## WHY PRESSING ON THE MICROPHONE SWITCH ENABLES THE SOUND TO BE HEARD

**When Pressing Push-Button, It shorts across the MIC and GND so the missing Ground is connected**



**As you press on the headset push-button, it creates a short across the MIC and GND. This allows the Ground to connect, completing the circuit connections required for the Left and Right Audio channels.**



The UNC-LRG and CRD-LRG 4-Conductor jack will make contact with the LFT, RGT and GND parts of the TRRS plug from your headset. It will eliminate the microphone, however it will allow the Left and Right audio (and Ground) connections to be made correctly.