



Model 1BUD-S2MA

Stereo Mixer Converter



Price \$14.95 Each

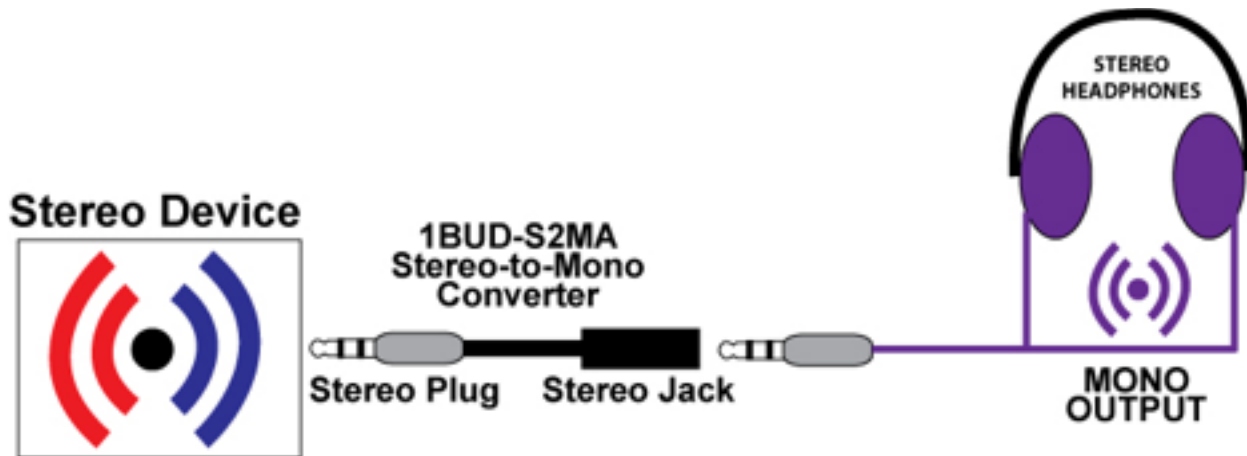
Convert any existing stereo earphone so it will mix the LEFT and RIGHT stereo audio channels together.

SKU# 1BUD-S2MA

View this item online at this URL:

<http://www.scansound.com/1bud-stereo-to-mono-converter.html>

As most of our customers know, our patented 1-BUD® single-ear stereo earphone made it possible to hear both stereophonic audio channels in one earpiece. Scan Sound is proud to announce a new addition to our 1-BUD product line-up. Our newest product will enable you to convert just about any stereo earphone of your choice to work just like a 1-BUD. We have integrated the 1-BUD patented circuit into our 1-BUD-S2MA Converter so the audio you hear will be true monaural sound. Just plug the adapter into any stereo device (i.e. MP3 Player, Cell Phone, Tablet or Computer) and then plug your earphone into the adapter. It's that easy.



Scan Sound, Inc.

(866) 722-6763 Phone
(954) 827-2408 Fax
1-866-722-6763 Toll-Free
1-866-SCAN-SND Toll-Free
265 S. Federal Hwy., Unit 163
Deerfield Beach, FL 33441
<http://www.scansound.com>

FEATURES:

- Convert any Stereo Earphone to mix both Left and Right Channels
- Enables you to convert your own earphone into a 1-BUD earphone
- Packaged in Reclosable Poly Bag

COMPATIBILITY

- Compatible with most all stereo audio players that have a 1/8-inch (3.5mm) stereo jack
- Use with any stereo earphone

SPECIFICATIONS

- Manufacturer - Scan Sound
- 3.5mm (1/8") Slim-Profile Stereo Male Plug
- 3-Conductor female 3.5mm stereo jack
- 2-inch Cable Length
- Black color

Model 1BUD-S2MA

Stereo Mixer Converter

Scan Sound, Inc.

(866) 722-6763 Phone

(954) 827-2408 Fax

1-866-722-6763 Toll-Free

1-866-SCAN-SND Toll-Free

265 S. Federal Hwy., Unit 163

Deerfield Beach, FL 33441

<http://www.scansound.com>

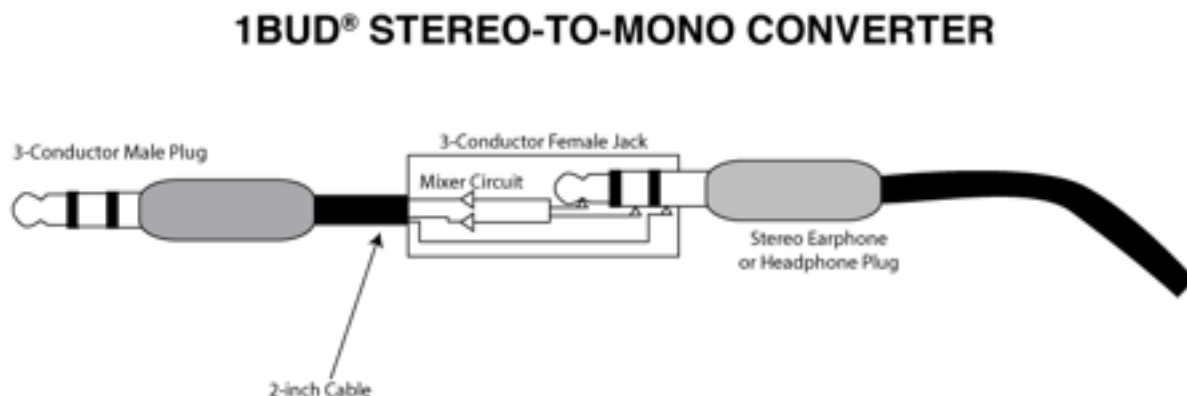
Most audio adapters are made to merely match 2-conductor jacks to 3-conductor plugs or vice versa and they will not actually convert stereo to monaural audio. If you have ever tried using one of the 2-conductor to 3-conductor adapters (often referred to as Stereo-to-Mono converters) you will discover that you will completely lose one channel of the sound. Our 1BUD-S2MA converter will properly combine the Left and Right channels electronically so that you hear both audio channels combined and... *you'll never miss a beat.*

Stereophonic sound was designed to impart a 3-dimensional feeling. This was made possible because the left and right channels usually have different audio. For example: The drums might be more pronounced on the left with the lead singer heard on the right. The band might be playing so that the audio shifts around from left to right as different instruments add to the sound. This all gives a 3-dimensional feeling to the music and that is what makes it stereophonic sound.

Contrary to what most people think, mono audio does not mean that you will hear in only one ear. Those with hearing in both ears can hear monaural (mono) sound as well. The difference is that with mono sound, a person with hearing in both ears would hear the same sound in both ears at the same time, just as if you were listening to a single loudspeaker. Scan Sound developed the 1-BUD earphone, so that people could plug a single-ear earphone or headphone into a stereo device and hear both channels combined in one ear.

WHAT CAN YOU DO WITH THE NEW CONVERTER?

What if you had your own earphone or headphone and wanted to convert it into a single-mono earphone. Until now, there just weren't any audio converters available that would accomplish that. Our 1BUD-S2MA has a 3.5mm stereo plug on one end and a 3.5mm stereo jack on the other end, so you can plug our converter into any stereo equipment and then connect your own stereo earphone or headphone into our adapter. The resulting audio you hear in both earpieces will be the combined left and right channels.



Our 1BUD-S2MA converter gives you the option to use any earphone or headphone of your choice. You can choose whether you want to listen to only one earpiece or both. If you are restricted due to a physical issue (single-sided-deafness or partial hearing loss) then you could cut off one of the earpieces. On the other hand, if you want the option to use your own earphone at times listening from only one ear, then this will be a good temporary way for you to hear the sound from either earpiece. Some employers restricts use of earphones and will allow a single earpiece. This converter will allow hear all the sound from either earpiece. Later when you leave the office, you can use your same earphone without the converter, and go back to listening from both earpieces.